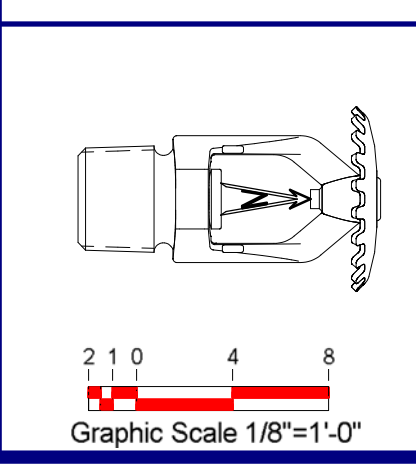


**Typical Hanger Details**

**Crawl Space - Fire Sprinkler Layout**  
 1/4" = 1'-0"

**General Notes:**  
 Crawl Space protected by Wet System Throughout  
 Elevation of Mains \* 14" BOD and Branch Lines \* 6.5" BOD  
 Coordinate with Mechanical and Electrical Trades



Piping Color Legend	Key Plan
<span style="color: red;">—</span> Wet System Branch Line	
<span style="color: black;">—</span> Wet System Main	

Revisions

	<b>Chinook Fire Protection, Inc.</b> 1221 E. 70th Ave. Anchorage, AK 99518	
	Permit Holder <i>Jeffrey Wilcheck</i> PERMIT NUMBER: 94-018 NICET IV	Customer: SSAJ Architects Job No. 17C-001 Date 11/02/17 Drawn By Jeffrey Wilcheck Scale 1/8" = 1'-0"

Plot Date: 11/17/09 4:08AM Project: Ouzinkie Office Building Sheet: FP-04